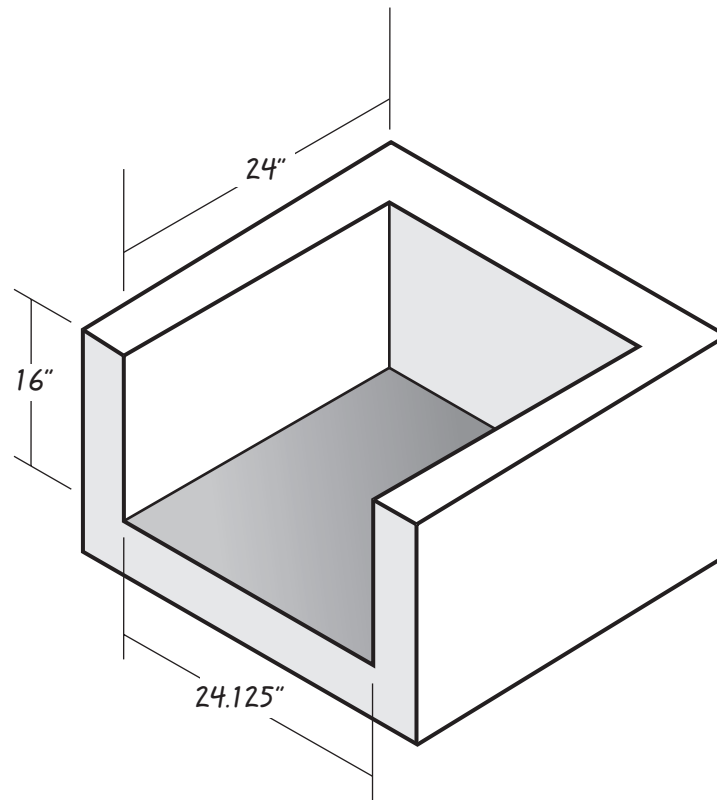


# TEXAS PIT CRAFTERS

P.O. Box 83  
Tomball, Tx 77377  
877-697-PITS (7487)  
www.texaspitcrafters.com

## *Recessed Drop Down Burner Cut-Out Dimensions*



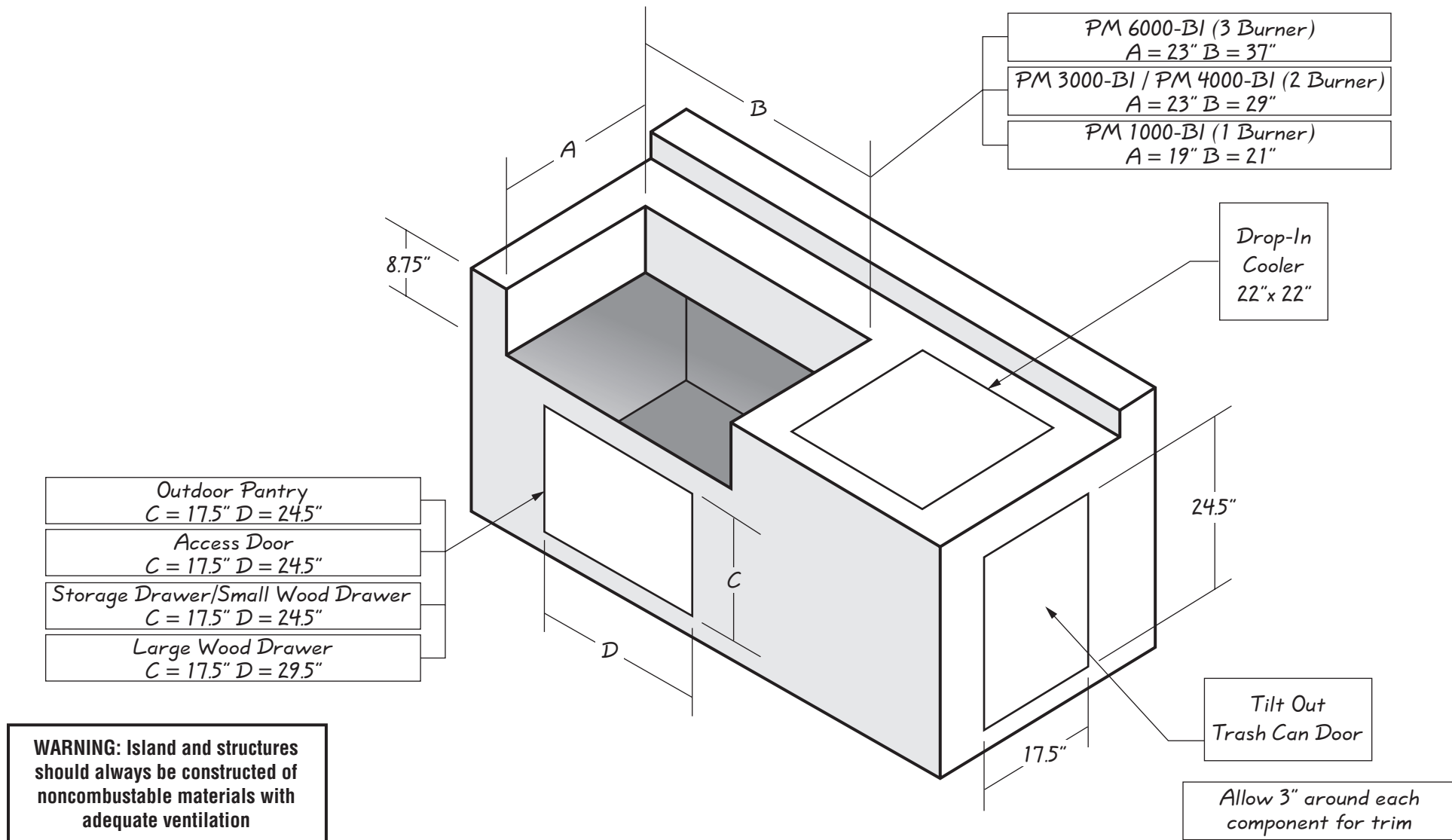
**WARNING: Island and structures should always be constructed of noncombustable materials with adequate ventilation**

*Allow 3" around each component for trim*

# TEXAS PIT CRAFTERS

P.O. Box 83  
 Tomball, Tx 77377  
 877-697-PITS (7487)  
 www.texaspitcrafters.com

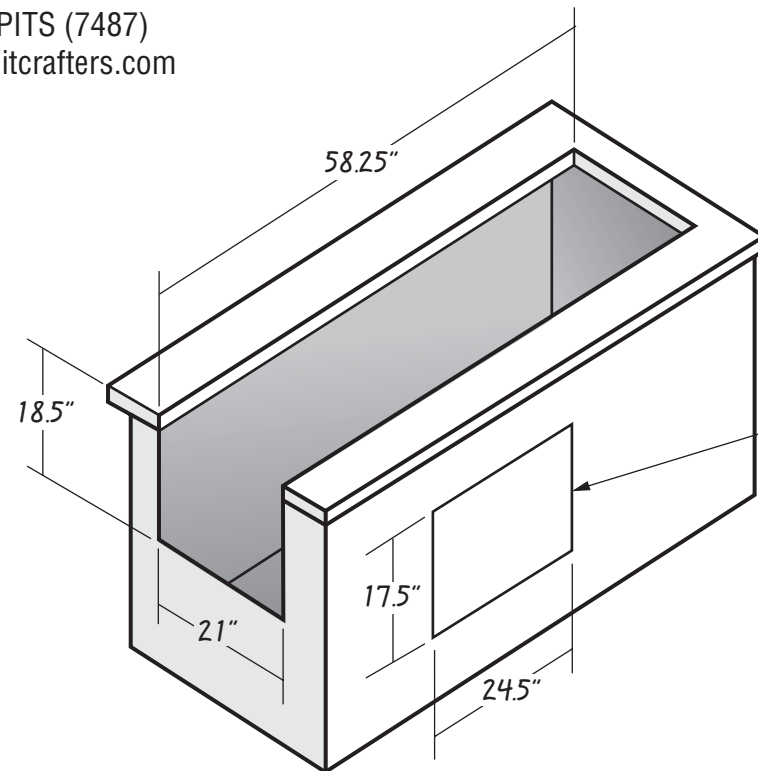
## Gas Grills and Outdoor Kitchen Accessories Cut-Out Dimensions



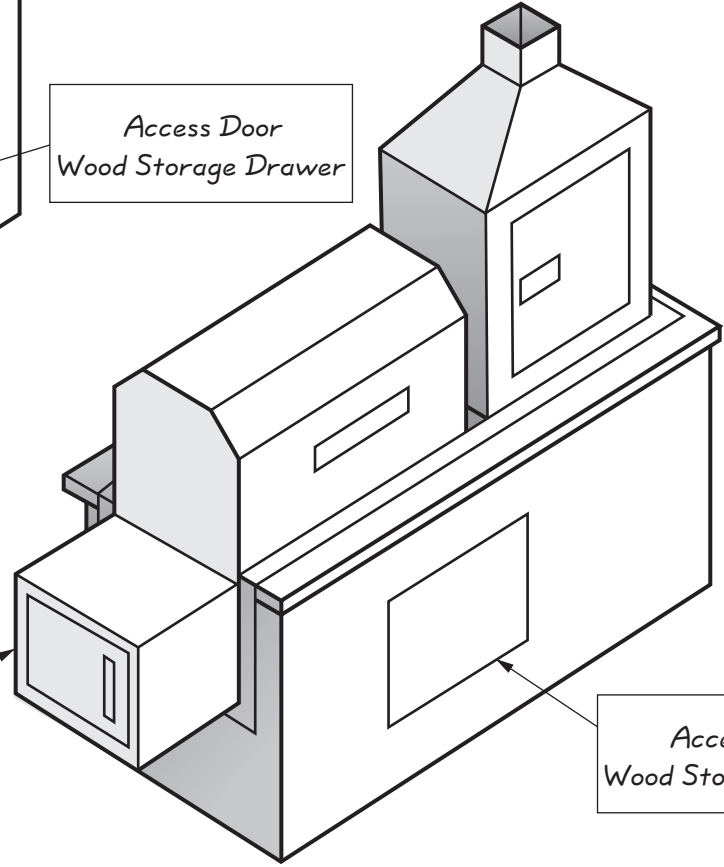
# TEXAS PIT CRAFTERS

P.O. Box 83  
 Tomball, Tx 77377  
 877-697-PITS (7487)  
 www.texaspitcrafters.com

PM 500 U & PM 500 S U  
 Built-In BBQ Pit/Smoker  
 Cut-Out Dimensions



Access Door  
 Wood Storage Drawer



Drop-In Pit  
 Fire Box

Access Door  
 Wood Storage Drawer

If Back splash or wall is located behind unit, a minimum of 11" clearance is required

Allow 3" around cut-outs for supporting trim

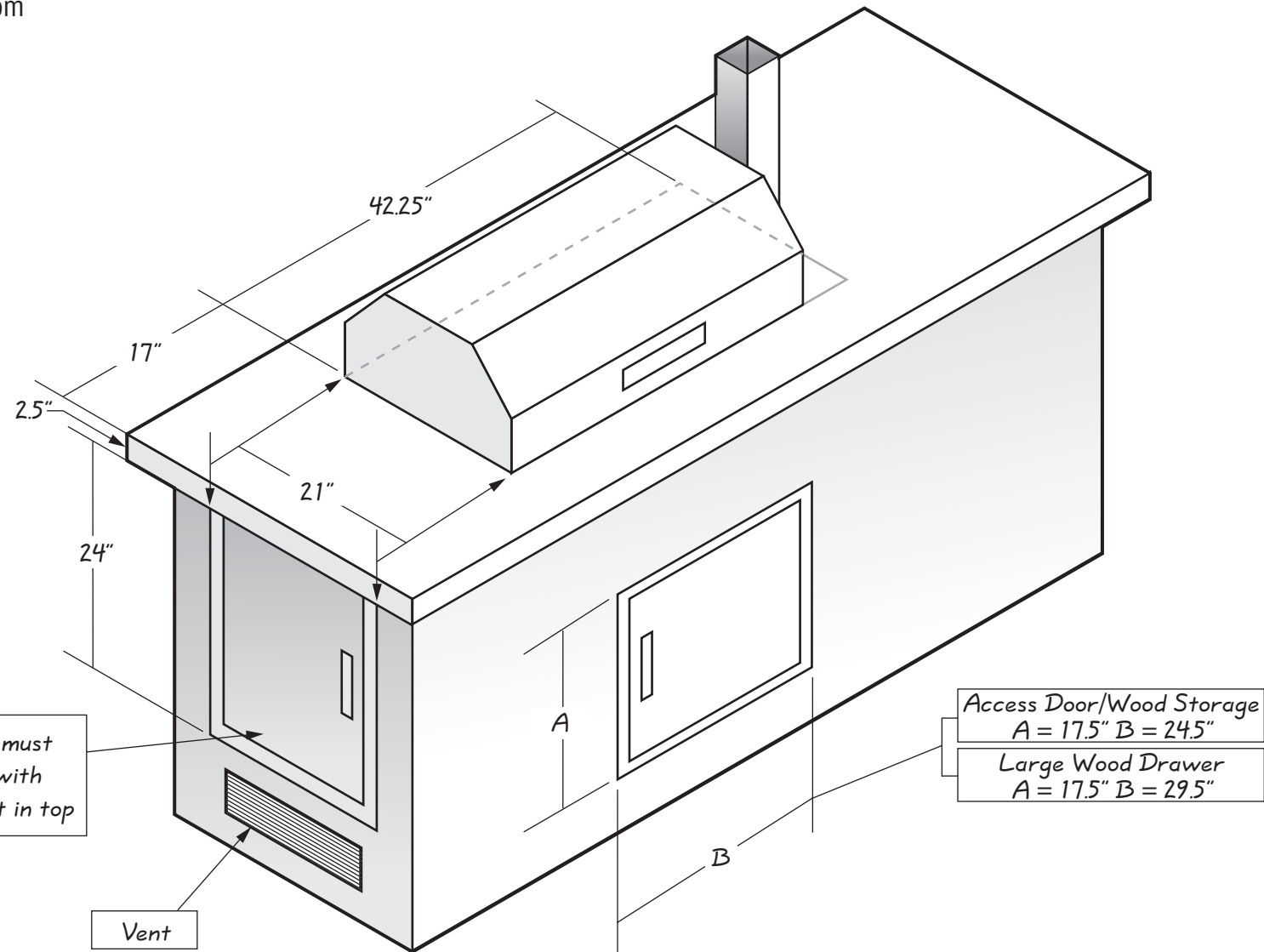
**WARNING: Island and structures should always be constructed of noncombustable materials with adequate ventilation**

Allow 3" around each component for trim

# TEXAS PIT CRAFTERS

P.O. Box 83  
Tomball, Tx 77377  
877-697-PITS (7487)  
www.texaspitcrafters.com

PM 550 SBI  
Built-In BBQ Pit/Smoker  
(with enclosed fire box)  
Cut-Out Dimensions

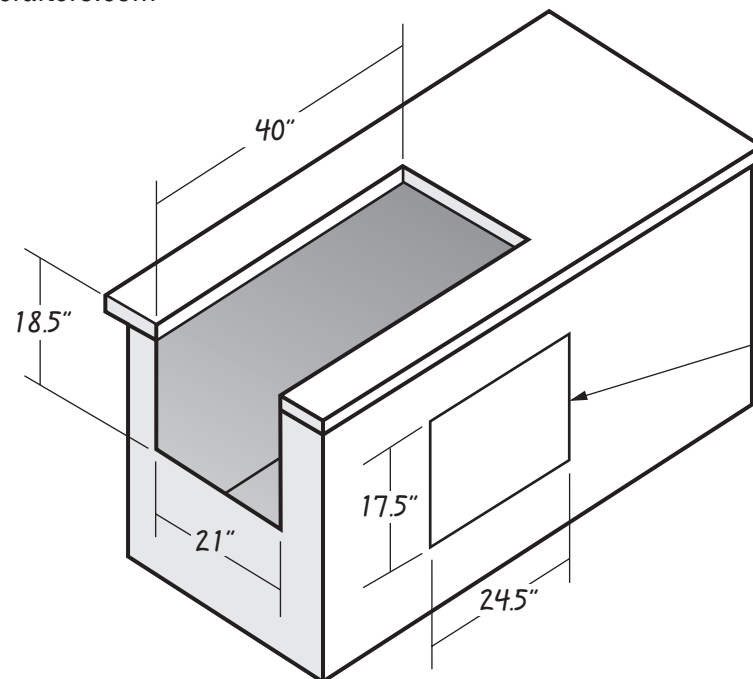


**WARNING: Island and structures should always be constructed of noncombustable materials with adequate ventilation**

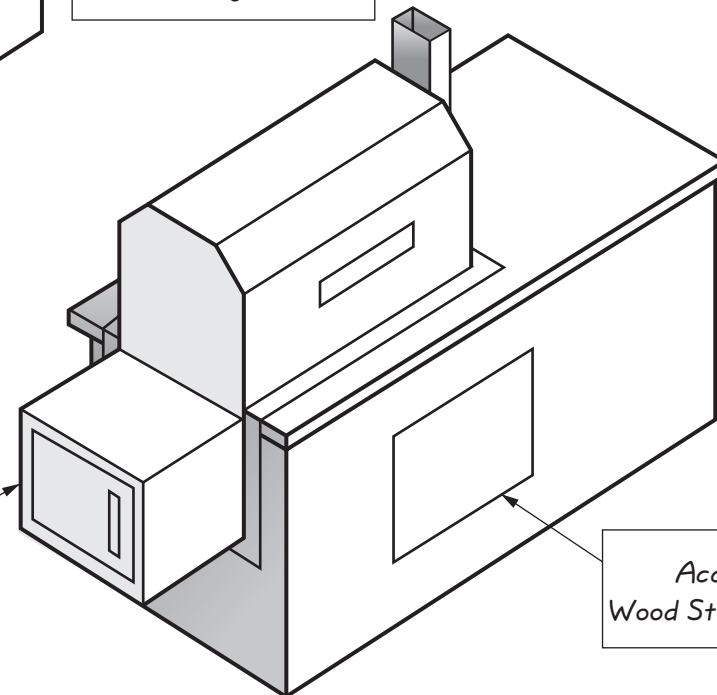
# TEXAS PIT CRAFTERS

P.O. Box 83  
 Tomball, Tx 77377  
 877-697-PITS (7487)  
 www.texaspitcrafters.com

PM 500 & PM 500 S  
 Built-In BBQ Pit/Smoker  
 Cut-Out Dimensions



Access Door  
 Wood Storage Drawer



Drop-In Pit  
 Fire Box

Access Door  
 Wood Storage Drawer

Allow 3" around each  
 component for trim

If Back splash or wall is located  
 behind unit, a minimum of  
 11" clearance is required

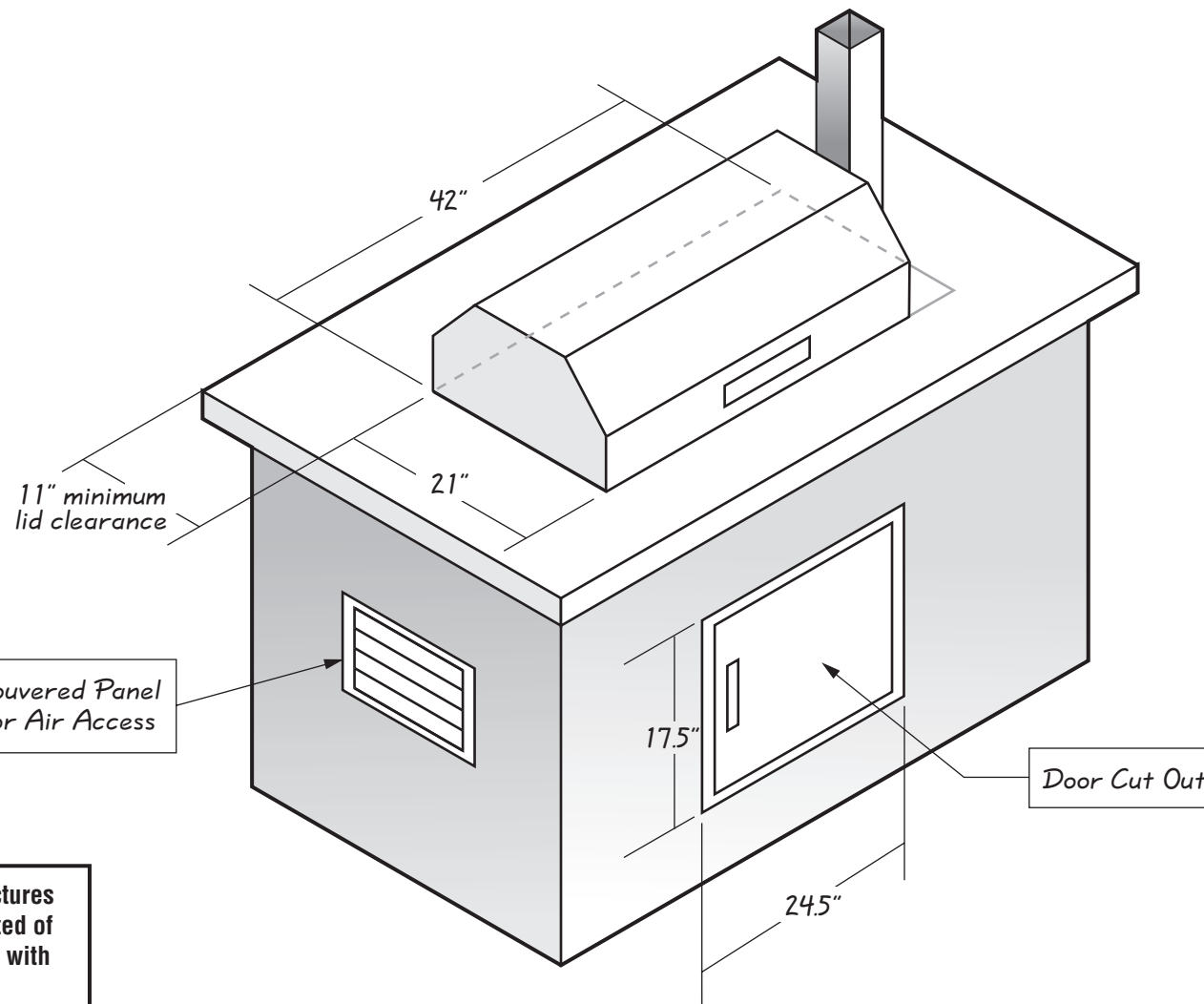
Allow 3" around cut-outs  
 for supporting trim

**WARNING: Island and structures  
 should always be constructed of  
 noncombustable materials with  
 adequate ventilation**

# TEXAS PIT CRAFTERS

P.O. Box 83  
Tomball, Tx 77377  
877-697-PITS (7487)  
www.texaspitcrafters.com

PM 200 & PM 200  
Drop-In BBQ Pit/Smoker  
(with enclosed fire box)  
Cut-Out Dimensions



**WARNING: Island and structures should always be constructed of noncombustable materials with adequate ventilation**